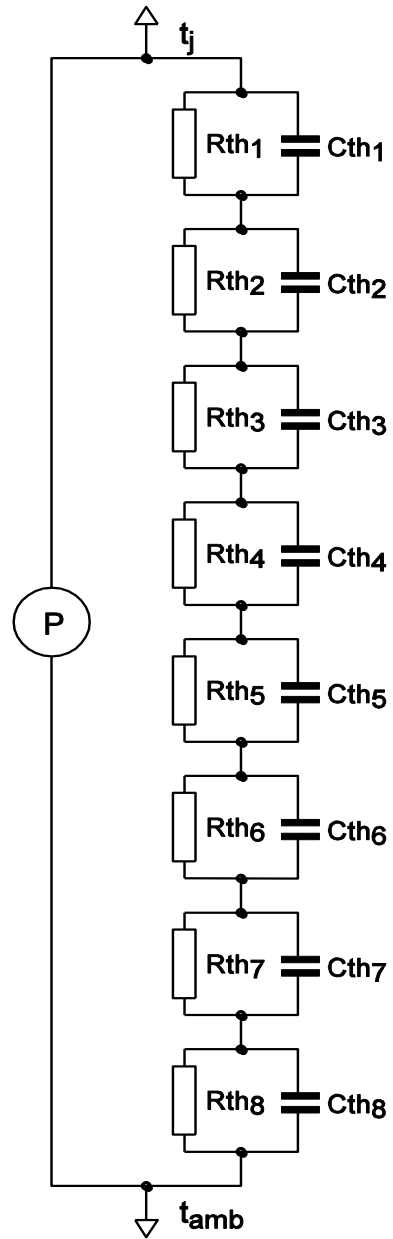


SPICE thermal model

BUK9M9R1-40E

| Symbol | Parameter | Conditions | Min | Typ | Max | Unit |
|----------------|---|------------|-----|-----|------|------|
| $R_{th(j-mb)}$ | thermal resistance from junction to mounting base | | - | - | 2.00 | K/W |

| | |
|-----------|--------------------|
| C_{th1} | 2.117E-05 F |
| C_{th2} | 1.868E-04 F |
| C_{th3} | 2.444E-04 F |
| C_{th4} | 2.967E-03 F |
| C_{th5} | 1.698E-03 F |
| C_{th6} | 6.259E-03 F |
| C_{th7} | 8.221E-02 F |
| C_{th8} | 2.085E+02 F |
| R_{th1} | 2.884E-03 Ω |
| R_{th2} | 5.970E-03 Ω |
| R_{th3} | 2.837E-02 Ω |
| R_{th4} | 3.855E-02 Ω |
| R_{th5} | 5.033E-01 Ω |
| R_{th6} | 1.154E+00 Ω |
| R_{th7} | 2.626E-01 Ω |
| R_{th8} | 3.109E-03 Ω |



001aal768

Part: BUK9M9R1-40E
 Date: 3/3/2016
 Model Rth 2.00 K/W